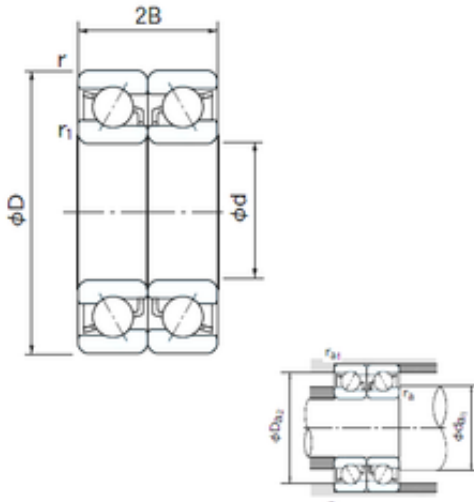




## SNR Bearing Argentina



80 mm x 140 mm x 26 mm NACHI 7216BDB  
angular contact ball bearings

Bearing No. 7216BDB

7216BDB Bearing 2D drawings and 3D CAD models

Size	80x140x26 mm
Bore Diameter	80 mm
Outer Diameter	140 mm
Width	26 mm
d	80 mm
D	140 mm
B	26 mm
C	26 mm
Angle ( ° )	40 °
a	33.2 mm
r min.	2 mm
r1 min.	1 mm
2B	52 mm
da min.	86 mm
Da max.	134 mm
ra max.	1 mm
Weight	1.50 Kg
Basic dynamic load rating (C)	135 kN
Basic static load rating (C0)	143 kN
(Grease) Lubrication Speed	2800 r/min
Bore Type	Cylindrical Bore
Enclosure	Open
Configuration	Duplex
Bore Size	80 mm
Outside Diameter	140 mm



## SNR Bearing Argentina

Width	26 mm
Fillet Radius/Chamfer	2 mm
r1	1 mm
Dynamic Load Rating	135,000 N
Static Load Rating	143,000 N
Limiting Speed - Grease	2,800 rpm
Limiting Speed - Oil	4,000 rpm
da1 (min)	90 mm
da2 (min)	86 mm
Da1 (max)	130 mm
Da2 (max)	134 mm
ra (max)	2 mm
ra1 (max)	1 mm