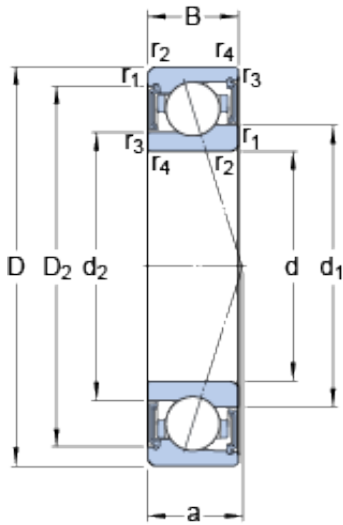




SNR Bearing Argentina



65 mm x 90 mm x 13 mm SKF S71913
ACE/P4A angular contact ball bearings

Bearing No. S71913 ACE/P4A

S71913 ACE/P4A Bearing 2D drawings and 3D CAD models

Size	90x65x13 mm
Bore Diameter	90 mm
Outer Diameter	65 mm
Width	13 mm
d	65 mm
D	90 mm
B	13 mm
d ₁	72.75 mm
d ₂	70.7 mm
D ₂	84.7 mm
r _{1,2} - min.	1 mm
r _{3,4} - min.	0.3 mm
a	25.8 mm
d _a - min.	69.6 mm
d _a - max.	72.2 mm
d _b - min.	67 mm
d _b - max.	70.1 mm
D _a - max.	85.4 mm
D _b - max.	88 mm
r _a - max.	1 mm
r _b - max.	0.3 mm
Basic dynamic load rating - C	15.6 kN
Basic static load rating - C ₀	11.8 kN
Fatigue load limit - P _u	0.5 kN



SNR Bearing Argentina

Limiting speed for grease lubrication	18000 r/min
Ball - D_w	7.938 mm
Ball - z	24
Calculation factor - e	0.68
Calculation factor - Y_2	0.87
Calculation factor - Y_0	0.38
Calculation factor - X_2	0.41
Calculation factor - Y_1	0.92
Calculation factor - Y_2	1.41
Calculation factor - Y_0	0.76
Calculation factor - X_2	0.67
Preload class A - G_A	142 N
Preload class B - G_B	425 N
Preload class C - G_C	850 N
Calculation factor - f	1.19
Calculation factor - f_1	0.99
Calculation factor - f_{2A}	1
Calculation factor - f_{2B}	1.04
Calculation factor - f_{2C}	1.07
Calculation factor - f_{HC}	1
Preload class A	120 N/micron
Preload class B	181 N/micron
Preload class C	238 N/micron
d_1	72.75 mm
d_2	70.7 mm
D_2	84.7 mm
$r_{1,2}$ min.	1 mm
$r_{3,4}$ min.	0.3 mm
d_a min.	69.6 mm



SNR Bearing Argentina

d_a max.	72.2 mm
d_b min.	67 mm
d_b max.	70.1 mm
D_a max.	85.4 mm
D_b max.	88 mm
r_a max.	1 mm
r_b max.	0.3 mm
Basic dynamic load rating C	15.6 kN
Basic static load rating C_0	11.8 kN
Fatigue load limit P_u	0.5 kN
Attainable speed for grease lubrication	18000 r/min
Ball diameter D_w	7.938 mm
Number of balls z	24
Preload class A G_A	142 N
Static axial stiffness, preload class A	120 N/ μ m
Preload class B G_B	425 N
Static axial stiffness, preload class B	181 N/ μ m
Preload class C G_C	850 N
Static axial stiffness, preload class C	238 N/ μ m
Calculation factor f	1.19
Calculation factor f_1	0.99
Calculation factor f_{2A}	1
Calculation factor f_{2B}	1.04
Calculation factor f_{2C}	1.07
Calculation factor f_{HC}	1
Calculation factor e	0.68
Calculation factor (single, tandem) Y_2	0.87
Calculation factor (single, tandem) Y_0	0.38



SNR Bearing Argentina

Calculation factor (single, tandem) X_2	0.41
Calculation factor (back-to-back, face-to-face) Y_1	0.92
Calculation factor (back-to-back, face-to-face) Y_2	1.41
Calculation factor (back-to-back, face-to-face) Y_0	0.76
Calculation factor (back-to-back, face-to-face) X_2	0.67
Mass bearing	0.2 kg