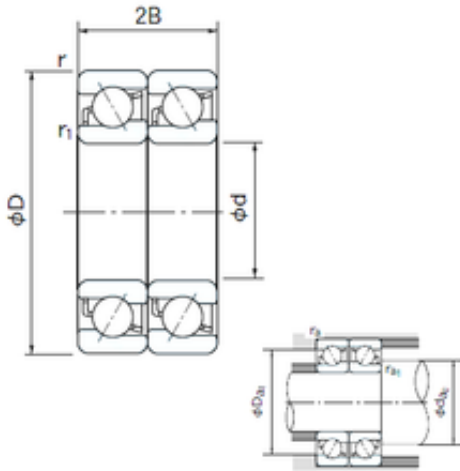




SNR Bearing Argentina



110 mm x 170 mm x 28 mm NACHI 7022DT
angular contact ball bearings

Bearing No. 7022DT

7022DT Bearing 2D drawings and 3D CAD models

Size	110x170x28 mm
Bore Diameter	110 mm
Outer Diameter	170 mm
Width	28 mm
d	110 mm
D	170 mm
B	28 mm
C	28 mm
Angle (°)	30 °
a	26.2 mm
r min.	2 mm
r1 min.	1 mm
2B	56 mm
da min.	118 mm
Da max.	165 mm
ra max.	1 mm
Weight	2.14 Kg
Basic dynamic load rating (C)	149 kN
Basic static load rating (C0)	185 kN
(Grease) Lubrication Speed	2500 r/min
Bore Type	Cylindrical Bore
Enclosure	Open
Configuration	Duplex
Bore Size	110 mm
Outside Diameter	170 mm



SNR Bearing Argentina

Width	28 mm
Fillet Radius/Chamfer	2 mm
r1	1 mm
Dynamic Load Rating	149,000 N
Static Load Rating	185,000 N
Limiting Speed - Grease	2,500 rpm
Limiting Speed - Oil	3,300 rpm
da1 (min)	118 mm
da2 (min)	118 mm
Da1 (max)	162 mm
Da2 (max)	165 mm
ra (max)	2 mm
ra1 (max)	1 mm