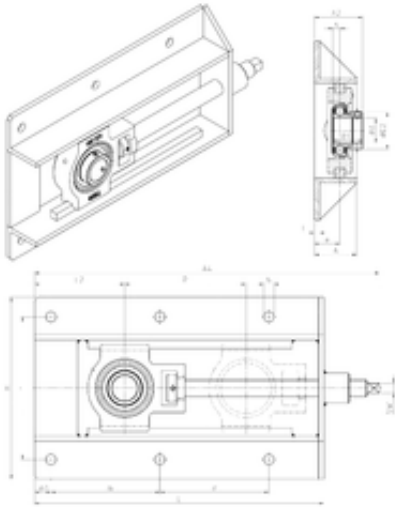




# SNR Bearing Argentina

## SNR EST207+WB bearing units

Bearing No. EST207+WB



EST207+WB Bearing 2D drawings and 3D CAD models

Bore Diameter	35 mm
d	35 mm
A4	490 mm
P	230 mm
e	30 mm
L2	99 mm
s	9,5 mm
SW	12 mm
A	50 mm
B1	38,9 mm
D2	55,6 mm
H	212 mm
J	166 mm
L	429 mm
M	173 mm
M1	19 mm
N	12 mm
T	6 mm
A2	59,4 mm
Weight	8,4 Kg
Basic dynamic load rating (C)	25,7 kN
A1	12 mm
B	25.4 mm
A5	15.9 mm
d1	51.1 mm
G	M6x1



## SNR Bearing Argentina

H1	89 mm
H2	64 mm
L1	78 mm
L3	64 mm
N1	16 mm
N2	37 mm
s1	30.2 mm
S	9.5 mm
C	25.7 kN
C0	15.2 kN
T min.	-20 ° C
T max.	100 ° C
Recommended tightening torque for set screw	11.5 Nm
Designation of housing	T207-
Designation of bearing	ES207G2