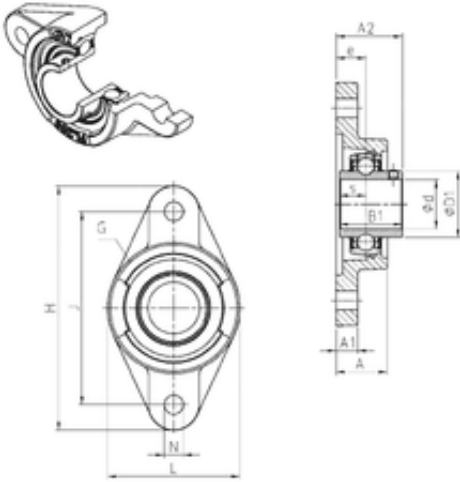




SNR Bearing Argentina



SNR UCFL212 bearing units

Bearing No. UCFL212

Bore Diameter	60 mm
d	60 mm
e	29 mm
s	25,4 mm
A	48 mm
A1	18 mm
B1	65,1 mm
D1	74,9 mm
H	250 mm
J	202 mm
L	140 mm
N	23 mm
Thread (G)	M6x1
A2	68,7 mm
Weight	3,9 Kg
Basic dynamic load rating (C)	52,5 kN

UCFL212 Bearing 2D drawings and 3D CAD models