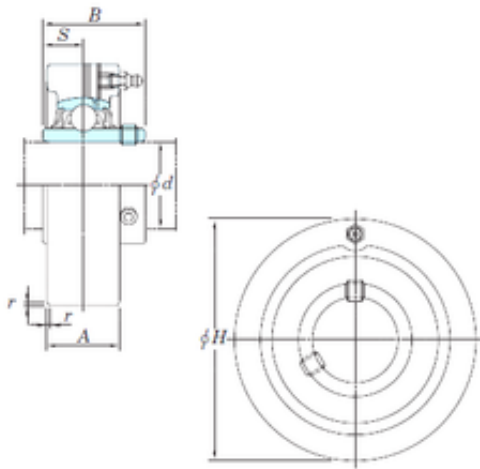




SNR Bearing Argentina

KOYO UCC212-36 bearing units

Bearing No. UCC212-36



UCC212-36 Bearing 2D drawings and 3D CAD models

Bore Diameter	57,15 mm
Width	65,1 mm
d	57,15 mm
r	2,5 mm
A	38 mm
B	65,1 mm
H	130 mm
S	25,4 mm
Weight	2,6 Kg
Basic dynamic load rating (C)	52,4 kN
Basic static load rating (C0)	36,2 kN