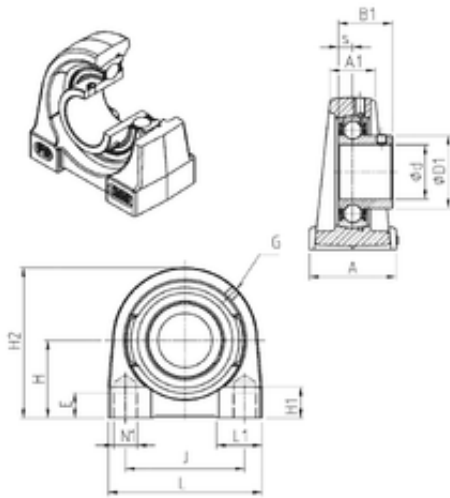




# SNR Bearing Argentina



## SNR USP212 bearing units

Bearing No. USP212

Bore Diameter	60 mm
d	60 mm
s	14,9 mm
A	70 mm
A1	40 mm
B1	53,7 mm
D1	74,9 mm
E	25 mm
H	69,8 mm
H1	25 mm
H2	138 mm
J	105 mm
L	150 mm
L1	50 mm
Thread (G)	M6x1
Thread (N1)	M16
Weight	4,5 Kg
Basic dynamic load rating (C)	52,5 kN

USP212 Bearing 2D drawings and 3D CAD models