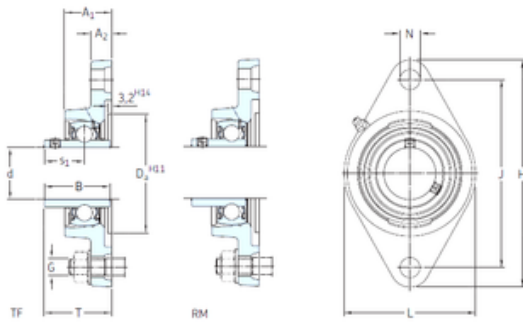




SNR Bearing Argentina



SKF FYTJ 1.3/4 TF bearing units

Bearing No. FYTJ 1.3/4 TF

Bore Diameter	44,45 mm
Width	49,2 mm
d	44,45 mm
s1	30,2 mm
A1	38 mm
B	49,2 mm
G	16 mm
H	188 mm
J	148 mm
L	108 mm
N	19 mm
T	52,2 mm
A2	18 mm
Weight	2,2 Kg
Basic dynamic load rating (C)	33,2 kN
Basic static load rating (C0)	21,6 kN
Fatigue load limit (Pu)	0,915
Housing material	Cast iron
D _a	98.4 mm
D _{b1}	102 mm
D _{b2}	108 mm
A	38 mm
A ₁	18 mm
A ₃	3.2 mm
B ₄	8 mm
s ₁	30.2 mm

FYTJ 1.3/4 TF Bearing 2D drawings and 3D CAD models



SNR Bearing Argentina

R_G	1/4-28 UNF
R_1	23 mm
R	45 °
D_N	6.5 mm
SW_N	7 mm
G_N	1/4-28 SAE-LT
J_6	120 mm
J_7	18 mm
N_4	2 mm
Basic dynamic load rating C	33.2 kN
Basic static load rating C_0	21.6 kN
Fatigue load limit P_u	0.915 kN
Limiting speed	4300 r/min
Mass bearing unit	1.8 kg
Thread grub screw G_2	5/16-24 UNF
Hexagonal key size for grub screw N	3.969 mm
Recommended tightening torque for grub screw	6.5 N · m
Recommended diameter for attachment bolts, mm G	16 mm
Recommended diameter for attachment bolts, inch G	0.625 in