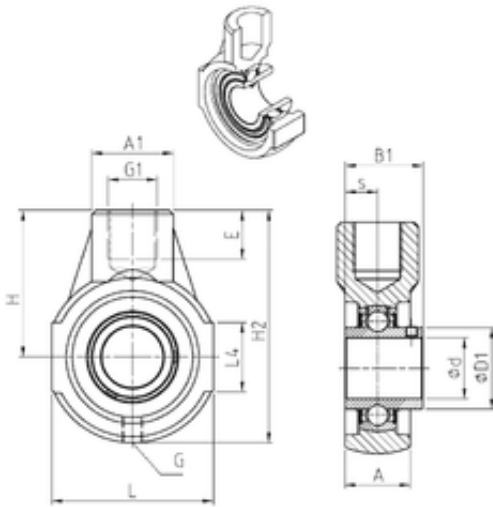




SNR Bearing Argentina

SNR UCEHE209 bearing units



UCEHE209 Bearing 2D drawings and 3D CAD models

Bearing No. UCEHE209

| | |
|-------------------------------|----------|
| Bore Diameter | 45 mm |
| d | 45 mm |
| L4 | 45 mm |
| s | 19 mm |
| A | 40 mm |
| A1 | 40 mm |
| B1 | 49,2 mm |
| D1 | 57,2 mm |
| E | 24 mm |
| G1 | M24 mm |
| H | 90 mm |
| H2 | 145 mm |
| L | 110 mm |
| Thread (G) | R1/8" |
| Weight | 1,9 Kg |
| Basic dynamic load rating (C) | 31,85 kN |
| A2 | 40 mm |
| B | 49.2 mm |
| A5 | 30.2 mm |
| G | R1/8" |
| L1 | 90 mm |
| L3 | 45 mm |
| s1 | 24.6 mm |
| S | 19 mm |
| SW | 4 mm |
| C | 31.85 kN |



SNR Bearing Argentina

| | |
|---|---------|
| C0 | 20.8 kN |
| T min. | -20 ° C |
| T max. | 100 ° C |
| Recommended tightening torque for set screw | 11.5 Nm |
| Designation of housing | EHE209- |
| Designation of bearing | UC209G2 |