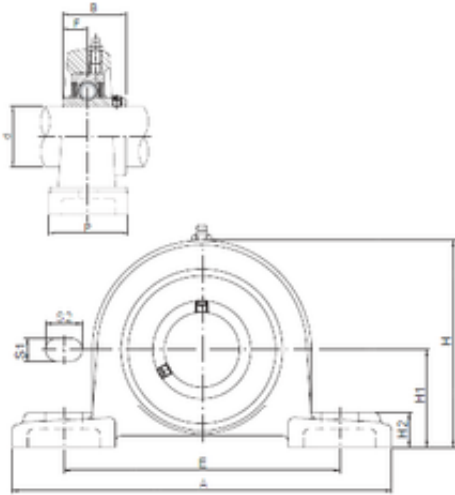




SNR Bearing Argentina



UCPX11 Bearing 2D drawings and 3D CAD models

ISO UCPX11 bearing units

Bearing No. UCPX11

Bore Diameter	55 mm
d	55 mm
S1	25 mm
P	79 mm
A	260 mm
B	65,1 mm
E	184 mm
F	25,4 mm
H	137 mm
H1	69,8 mm
H2	30 mm
S2	28 mm
Bolt (G)	M20