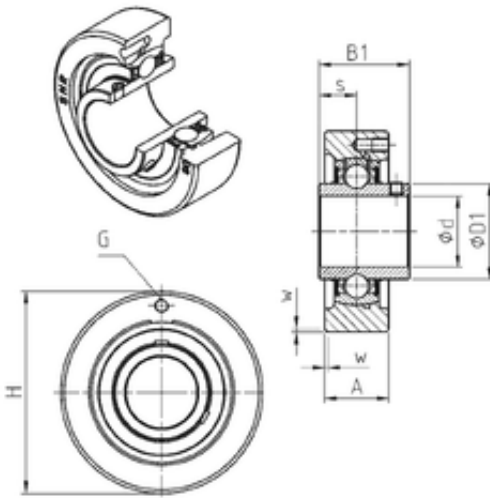




SNR Bearing Argentina



UCC311 Bearing 2D drawings and 3D CAD models

SNR UCC311 bearing units

Bearing No. UCC311

Bore Diameter	55 mm
d	55 mm
s	25 mm
A	44 mm
B1	66 mm
D1	74,9 mm
H	150 mm
W	3,5 mm
Thread (G)	M6x1
Weight	3,9 Kg
Basic dynamic load rating (C)	71,5 kN
B	66 mm
A3	3.5 mm
A5	41 mm
G	M6x1
s1	33 mm
S	25 mm
SW	6 mm
C	71.5 kN
C0	44.8 kN
T min.	-20 ° C
T max.	100 ° C
Recommended tightening torque for set screw	33 Nm
Designation of housing	C311-
Designation of bearing	UC311G2



SNR Bearing Argentina