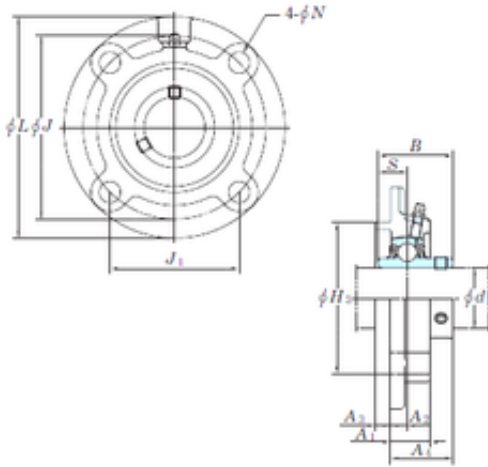




SNR Bearing Argentina

KOYO UCFCX17E bearing units



Bearing No. UCFCX17E

Bore Diameter	85 mm
d	85 mm
H3	187,325 mm
A4	66,3 mm
A1	36 mm
B	96 mm
J	219 mm
L	260 mm
N	23 mm
S	39,7 mm
Bolt (G)	M20
A2	10 mm
A3	25 mm
J1	154,8 mm
Weight	12,9 Kg
Basic dynamic load rating (C)	96,1 kN
Basic static load rating (C0)	71,5 kN

UCFCX17E Bearing 2D drawings and 3D CAD models