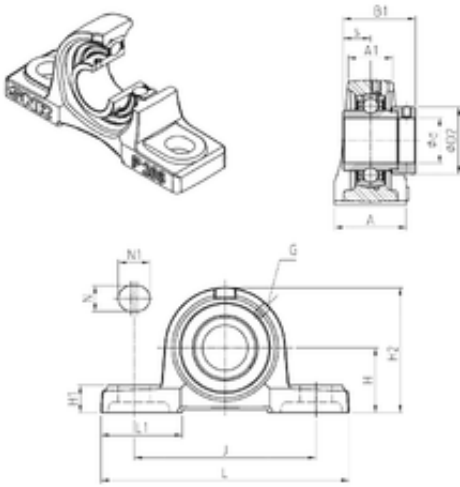




# SNR Bearing Argentina



EXP205 Bearing 2D drawings and 3D CAD models

## SNR EXP205 bearing units

Bearing No. EXP205

Bore Diameter	25 mm
d	25 mm
s	17,4 mm
A	38 mm
A1	26 mm
B1	44,3 mm
D2	38,1 mm
H	36,5 mm
H1	16 mm
H2	70 mm
J	105 mm
L	140 mm
L1	42 mm
N	13 mm
N1	19 mm
Thread (G)	M6x1
Weight	0,9 Kg
Basic dynamic load rating (C)	14 kN