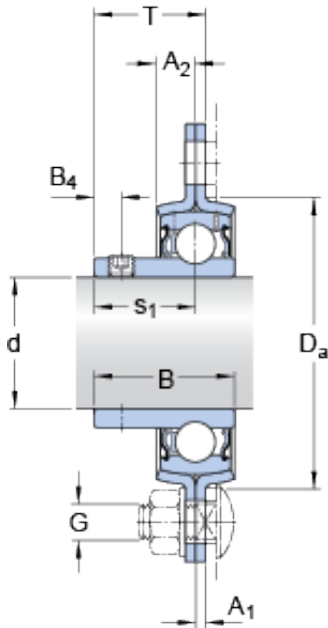




# SNR Bearing Argentina



PF 17 RM Bearing 2D drawings and 3D CAD models

## SKF PF 17 RM bearing units

Bearing No. PF 17 RM

Size	17x2x7 mm
Bore Diameter	17 mm
Outer Diameter	2 mm
Width	7 mm
d	17 mm
A <sub>1</sub>	2 mm
A <sub>2</sub>	7 mm
B	22.1 mm
B <sub>4</sub>	4 mm
D <sub>a</sub> - min.	44 mm
J	63 mm
H	81 mm
H	7.1 mm
s <sub>1</sub>	15.9 mm
T	17.9 mm
Basic dynamic load rating - C	9.6 kN
Basic static load rating - C <sub>0</sub>	4.8 kN
Fatigue load limit - P <sub>u</sub>	0.2 kN
Permissible radial housing load	max. 2.5 kN
Weight	0.2 kg
Thread - G <sub>2</sub>	M6x0.75
Hexagonal key size for grub screw - H	3 mm
Housing material	Pressed steel



## SNR Bearing Argentina

$A_1$	2 mm
$A_2$	7 mm
$B_4$	4 mm
$D_a$ min.	44 mm
N	7.1 mm
$s_1$	15.9 mm
Basic dynamic load rating C	9.56 kN
Basic static load rating $C_0$	4.75 kN
Fatigue load limit $P_u$	0.2 kN
Permissible radial housing load max.	2.5 kN
Mass unit	0.2 kg
Thread grub screw $G_2$	M6x0.75
Hexagonal key size for grub screw N	3 mm
Recommended tightening torque for grub screw	4 N · m
Recommended diameter for attachment bolts, mm G	6 mm
Recommended diameter for attachment bolts, inch G	0.25 in