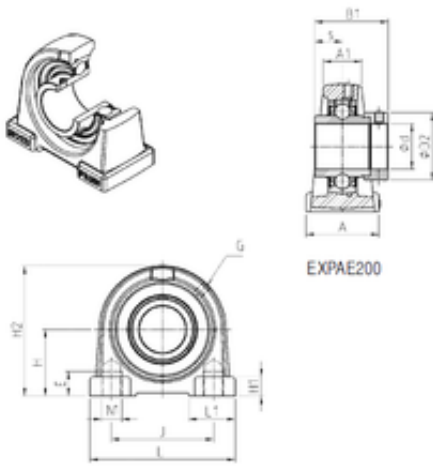




SNR Bearing Argentina



SNR EXPAE206 bearing units

Bearing No. EXPAE206

Bore Diameter	30 mm
d	30 mm
s	18,2 mm
A	38 mm
A1	25 mm
B1	48,3 mm
D2	44,5 mm
E	12,5 mm
H	42,9 mm
H1	11 mm
H2	82 mm
J	76,2 mm
L	98 mm
L1	22 mm
Thread (G)	R1/8"
Thread (N1)	M10
Weight	1,1 Kg
Basic dynamic load rating (C)	19,5 kN

EXPAE206 Bearing 2D drawings and 3D CAD models