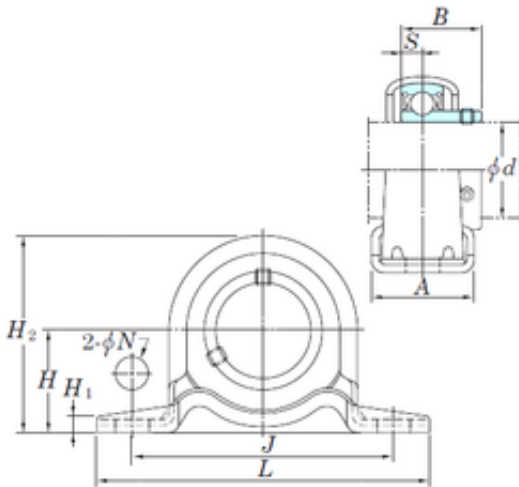




SNR Bearing Argentina



SBPP205 Bearing 2D drawings and 3D CAD models

KOYO SBPP205 bearing units

Bearing No. SBPP205

Bore Diameter	23,8125 mm
Width	27 mm
d	23,8125 mm
A	32 mm
B	27 mm
H	28,6 mm
H1	4 mm
H2	56,6 mm
J	86 mm
L	108 mm
N	11,5 mm
S	7,5 mm
Bolt (G)	M10
Weight	0,28 Kg
Basic dynamic load rating (C)	14 kN
Basic static load rating (C0)	7,85 kN
Bearing No.	SBPP205
Bolt size	M10
Cr	14.0
C0r	7.85
f0	13.9
A1	-
(Refer.)Unit mass(kg)	0.28