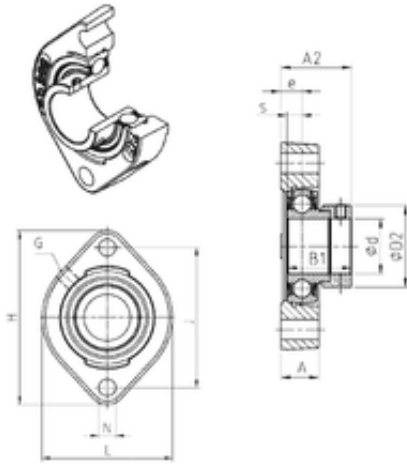




# SNR Bearing Argentina



## SNR ESFD204 bearing units

Bearing No. ESFD204

|                               |         |
|-------------------------------|---------|
| Bore Diameter                 | 20 mm   |
| d                             | 20 mm   |
| e                             | 9,5 mm  |
| s                             | 7,5 mm  |
| A                             | 17 mm   |
| B1                            | 30,9 mm |
| D2                            | 33,3 mm |
| H                             | 90,5 mm |
| J                             | 71,4 mm |
| L                             | 66,5 mm |
| N                             | 9 mm    |
| Thread (G)                    | M6x1    |
| A2                            | 32,9 mm |
| Weight                        | 0,4 Kg  |
| Basic dynamic load rating (C) | 12,8 kN |

ESFD204 Bearing 2D drawings and 3D CAD models