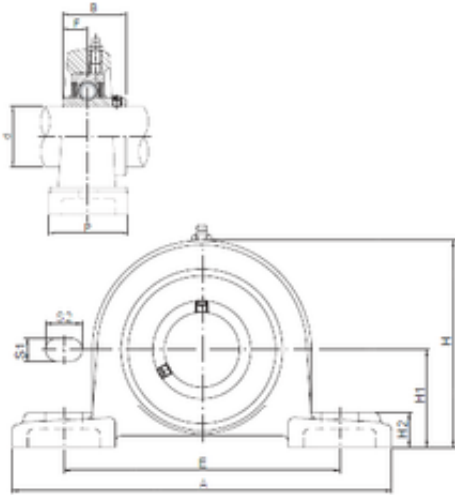




SNR Bearing Argentina



ISO UCP204 bearing units

Bearing No. UCP204

| | |
|---------------|----------|
| Bore Diameter | 20 mm |
| d | 20 mm |
| S1 | 13 mm |
| P | 38 mm |
| A | 127 mm |
| B | 31 mm |
| E | 95 mm |
| F | 127,7 mm |
| H | 65 mm |
| H1 | 33,3 mm |
| H2 | 14 mm |
| S2 | 19 mm |
| Bolt (G) | M10 |

UCP204 Bearing 2D drawings and 3D CAD models