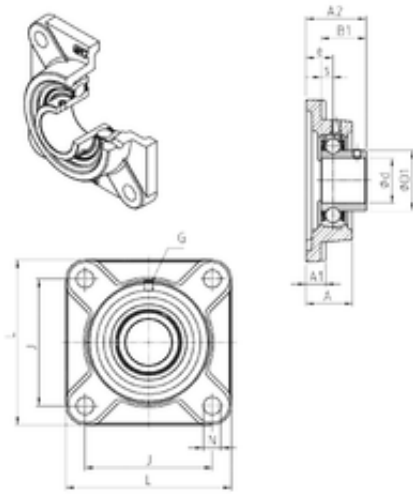




SNR Bearing Argentina



SNR USF201 bearing units

Bearing No. USF201

Bore Diameter	12 mm
d	12 mm
e	15 mm
s	6 mm
A	25,5 mm
A1	11 mm
B1	22 mm
D1	24,6 mm
J	54 mm
L	76 mm
N	12 mm
Thread (G)	M6x1
A2	31 mm
Weight	0,4 Kg
Basic dynamic load rating (C)	9,55 kN

USF201 Bearing 2D drawings and 3D CAD models