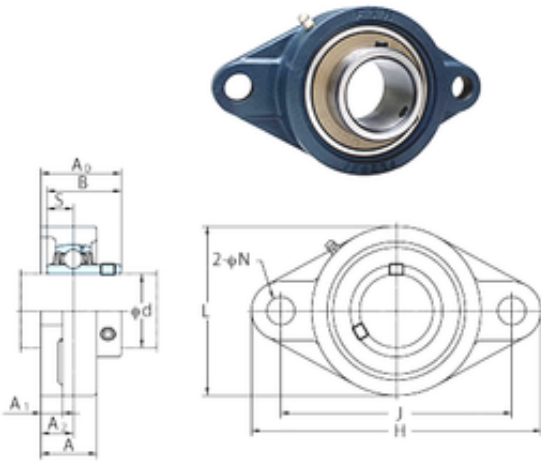




SNR Bearing Argentina

FYH UCFLX06 bearing units

Bearing No. UCFLX06



UCFLX06 Bearing 2D drawings and 3D CAD models

| | |
|-------------------------------|---------|
| Bore Diameter | 30 mm |
| d | 30 mm |
| A0 | 44,4 mm |
| A | 34 mm |
| A1 | 14 mm |
| B | 42,9 mm |
| H | 156 mm |
| J | 130 mm |
| L | 95 mm |
| N | 16 mm |
| S | 17,5 mm |
| Bolt (G) | 13,9 |
| Bolt (G) | M14 |
| A2 | 19 mm |
| Weight | 1,5 Kg |
| Basic static load rating (C0) | 25,7 kN |