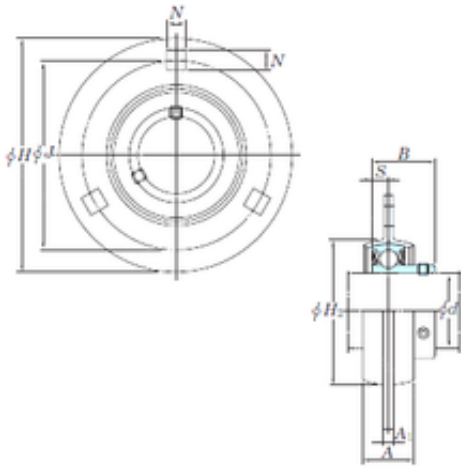




# SNR Bearing Argentina



SBPF207 Bearing 2D drawings and 3D CAD models

## KOYO SBPF207 bearing units

Bearing No. SBPF207

|                               |         |
|-------------------------------|---------|
| Bore Diameter                 | 35 mm   |
| Width                         | 32 mm   |
| d                             | 35 mm   |
| A                             | 22 mm   |
| A1                            | 5,2 mm  |
| B                             | 32 mm   |
| H                             | 122 mm  |
| H2                            | 81 mm   |
| J                             | 100 mm  |
| N                             | 11 mm   |
| S                             | 8,5 mm  |
| Bolt (G)                      | M10     |
| Weight                        | 0,82 Kg |
| Basic dynamic load rating (C) | 25,7 kN |
| Basic static load rating (C0) | 15,4 kN |
| Bearing No.                   | SBPF207 |
| L                             | -       |
| Bolt size                     | M10     |
| Cr                            | 25.7    |
| C0r                           | 15.4    |
| f0                            | 13.9    |
| H1                            | -       |
| (Refer.)Unit mass(kg)         | 0.82    |