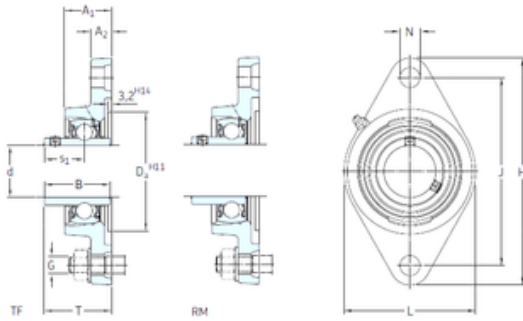




SNR Bearing Argentina



SKF FYT 2.3/16 FM bearing units

Bearing No. FYT 2.3/16 FM

Bore Diameter	55,563 mm
d	55,563 mm
Da	216 mm
s1	65,8 mm
A1	47,6 mm
B1	48,4 mm
G	36,4 mm
H	184,2 mm
J	127 mm
L	19 mm
N	16 mm
T	43,6 mm
A2	20,6 mm
Weight	3,35 Kg
Basic dynamic load rating (C)	29 kN
Basic static load rating (C0)	1,25 kN
Category	Flange Block Bearings
Inventory	0.0
Manufacturer Name	SKF
Minimum Buy Quantity	N/A
Weight / Kilogram	2.91
EAN	7316576615160
Product Group	M06110
Number of Mounting Holes	2
Mounting Method	Eccentric Collar
Housing Style	2 Bolt Flange Block

FYT 2.3/16 FM Bearing 2D drawings and 3D CAD models



SNR Bearing Argentina

Rolling Element	Ball Bearing
Housing Material	Cast Iron
Expansion / Non-expansion	Non-expansion
Mounting Bolts	5/8 Inch
Relubricatable	Yes
Insert Part Number	YET 211-203
Seals	M Seal
Housing Configuration	1 Piece Solid
Pilot Configuration	No Pilot
Inch - Metric	Inch
Long Description	2 Bolt Flange Block; 2-3/16" Bore; 7.3" Bolt Circle; 7-1/4" Bolt Spacing; 1 Piece Solid; Eccentric Collar Mount; Cast Iron; Ball Bearing; 1-29/32" Length Thru Bore; Relubricatable;
Other Features	Single Row Standard Duty Narrow Inner Race Open End Y Bearing
Category	Flange Block
UNSPSC	31171501
Harmonized Tariff Code	8483.20.40.40
Noun	Bearing
Keyword String	Flanged
Manufacturer URL	http://www.skf.com
Manufacturer Item Number	FYT 2.3/16 FM
Weight / LBS	6.4
Bore	2.188 Inch 55.575 Millimeter
Cartridge Pilot Depth	0 Inch 0 Millimeter
Bolt Spacing	7.25 Inch 184.15 Millimeter
Length Thru Bore	1.906 Inch 48.42 Millimeter



SNR Bearing Argentina

Cartridge Pilot Diameter	0 Inch 0 Millimeter
Nominal Bolt Circle Diameter Round	7.3 Inch 184.2 Millimeter