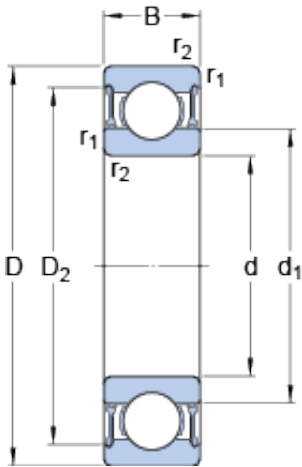




## SNR Bearing Argentina



35 mm x 62 mm x 14 mm SKF W 6007-2RZ  
deep groove ball bearings

Bearing No. W 6007-2RZ

W 6007-2RZ Bearing 2D drawings and 3D CAD models

Size	62x35x14 mm
Bore Diameter	62 mm
Outer Diameter	35 mm
Width	14 mm
d	35 mm
D	62 mm
B	14 mm
d <sub>1</sub>	44 mm
D <sub>2</sub>	57.05 mm
r <sub>1,2</sub> - min.	1 mm
D <sub>a</sub> - max.	57.5 mm
r <sub>a</sub> - max.	1 mm
Basic dynamic load rating - C	13.8 kN
Basic static load rating - C <sub>0</sub>	10.2 kN
Fatigue load limit - P <sub>u</sub>	0.44 kN
Reference speed	24000 r/min
Limiting speed	12000 r/min
Calculation factor - k <sub>r</sub>	0.03
Calculation factor - f <sub>0</sub>	14.9
d <sub>1</sub>	44 mm
D <sub>2</sub>	57.05 mm
r <sub>1,2</sub> min.	1 mm
d <sub>a</sub> min.	40 mm
d <sub>a</sub> max.	43.5 mm



## SNR Bearing Argentina

$D_a$ max.	57.5 mm
$r_a$ max.	1 mm
Basic dynamic load rating C	13.8 kN
Basic static load rating $C_0$	10.2 kN
Fatigue load limit $P_u$	0.44 kN
Calculation factor $k_r$	0.03
Calculation factor $f_0$	14.9
Mass bearing	0.15 kg