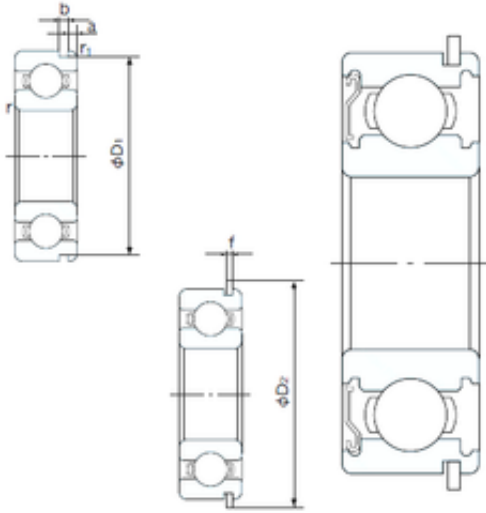




## SNR Bearing Argentina



15 mm x 32 mm x 9 mm NACHI 6002ZNR  
deep groove ball bearings

Bearing No. 6002ZNR

6002ZNR Bearing 2D drawings and 3D CAD models

Size	15x32x9 mm
Bore Diameter	15 mm
Outer Diameter	32 mm
Width	9 mm
d	15 mm
D	32 mm
B	9 mm
C	9 mm
a	2.06 mm
b	1.35 mm
f	0.85 mm
r min.	0.3 mm
r1 min.	0.3 mm
D1	30.15 mm
D2	36.7 mm
Weight	0.033 Kg
Basic dynamic load rating (C)	5,6 kN
Basic static load rating (C0)	2,84 kN
(Grease) Lubrication Speed	23000 r/min
Enclosure	Single Shield with Snap Ring
Bore Type	Cylindrical Bore
Configuration	Single Row
Bore Size	15 mm
Outside Diameter	32 mm
Width	9 mm



## SNR Bearing Argentina

Fillet Radius/Chamfer	0.3 mm
r1	0.3 mm
Snap Ring Width	1.1 mm
Snap Ring Outside Diameter	36.7 mm
D1 (max)	30.2 mm
a (max)	2.1 mm
b (min)	1.4 mm
Dynamic Load Rating	5,600 N
Static Load Rating	2,840 N
Limiting Speed - Grease	24,000 rpm
Limiting Speed - Oil	28,000 rpm
Factor fo	13.9
Radial Clearance	0.003 to 0.018 mm
da (min)	17 mm
Da (max)	30 mm
Dx (min)	37.5 mm
ra (max)	0.3 mm
Cy (max)	2.9 mm