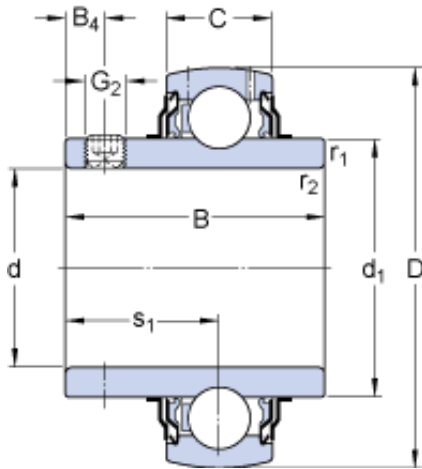




SNR Bearing Argentina



74.613 mm x 130 mm x 73.3 mm SKF YAR
215-215-2F deep groove ball bearings

Bearing No. YAR 215-215-2F

YAR 215-215-2F Bearing 2D drawings and 3D CAD models

| | |
|---|------------------------------|
| Size | 130x74.613x73.3 mm |
| Bore Diameter | 130 mm |
| Outer Diameter | 74,613 mm |
| Width | 73,3 mm |
| d | 74.613 mm |
| D | 130 mm |
| B | 73.3 mm |
| C | 29 mm |
| d ₁ | 92.05 mm |
| B ₄ | 12 mm |
| r _{1,2} - min. | 1.5 mm |
| s ₁ | 46.3 mm |
| Basic dynamic load rating - C | 66.3 kN |
| Basic static load rating - C ₀ | 49 kN |
| Fatigue load limit - P _u | 2 kN |
| Limiting speed with shaft tolerance h6 | 2600 r/min |
| Calculation factor - f ₀ | 15 |
| Mass bearing | 2.2 kg |
| Thread - G ₂ - 7/16-20 UNF | 7/1620 UNF |
| Hexagonal key size for grub screw - H | 5.556 mm |
| Category | Insert Bearings Spherical OD |
| Inventory | 0.0 |



SNR Bearing Argentina

| | |
|--------------------------|---|
| Manufacturer Name | SKF |
| Minimum Buy Quantity | N/A |
| Weight / Kilogram | 2.219 |
| EAN | 7316577300898 |
| Product Group | M06110 |
| Inner Race Profile | Wide Inner Ring |
| Outer Race Profile | Spherical |
| Relubricatable | Yes |
| Seal Type | M Seal |
| Mounting Method | Set Screw |
| Rolling Element | Ball Bearing |
| Snap Ring | No |
| Long Description | 2-15/16" Bore; Wide Inner Ring; Ball Bearing; 2.878" Length Thru Bore; 1.142" Outer Race Width; 5.118" Outside Diameter; Relubricatable; M Seal Seal; Set Screw Mounting Method |
| Inch - Metric | Inch |
| Other Features | Single Row Medium Duty Grub Screw Has Flinger |
| Category | Insert Bearings |
| UNSPSC | 31171536 |
| Harmonized Tariff Code | 8482.10.50.00 |
| Noun | Bearing |
| Keyword String | Insert |
| Manufacturer URL | http://www.skf.com |
| Manufacturer Item Number | YAR 215-215-2F |
| Weight / LBS | 4.63 |
| Length Thru Bore | 2.878 Inch 73.101 Millimeter |
| Bore | 2.938 Inch 74.625 Millimeter |
| | |



SNR Bearing Argentina

| | |
|---|------------------------------------|
| Outer Race Width | 1.142 Inch 29.007 Millimeter |
| Outside Diameter | 5.118 Inch 129.997 Millimeter |
| d_1 | 92.05 mm |
| B_4 | 12 mm |
| $r_{1,2}$ min. | 1.5 mm |
| s_1 | 46.3 mm |
| Basic dynamic load rating C | 66.3 kN |
| Basic static load rating C_0 | 49 kN |
| Fatigue load limit P_u | 2.04 kN |
| Limiting speed ¹⁾ | 2600 r/min |
| Calculation factor f_0 | 15 |
| Mass complete bearing | 2.15 kg |
| Thread grub screw G_2 | 7/16-20 UNF |
| Hexagonal key size for grub screw N | 5.556 mm |
| Recommended tightening torque for grub screw | 28.5 N · m |