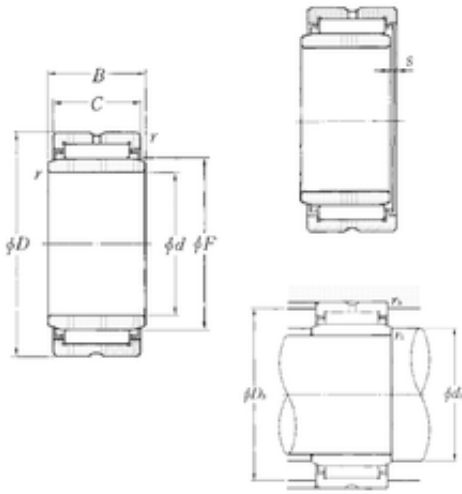




SNR Bearing Argentina

23,812 mm x 41,275 mm x 25,65 mm NTN
MR182616+MI-151816 needle roller bearings



Bearing No. MR182616+MI-151816

Size	23.812x41.275x25.65 mm
Bore Diameter	23,812 mm
Outer Diameter	41,275 mm
Width	25,65 mm
d	23,812 mm
F	28,575 mm
D	41,275 mm
B	25,65 mm
C	25,4 mm
r min.	1 mm
s	2 mm
da min.	27 mm
Da max.	36,5 mm
ra max.	1 mm
Weight	0,139 Kg
Basic dynamic load rating (C)	32,5 kN
Basic static load rating (C0)	45 kN
(Grease) Lubrication Speed	9 500 r/min

MR182616+MI-151816 Bearing 2D drawings and 3D CAD models