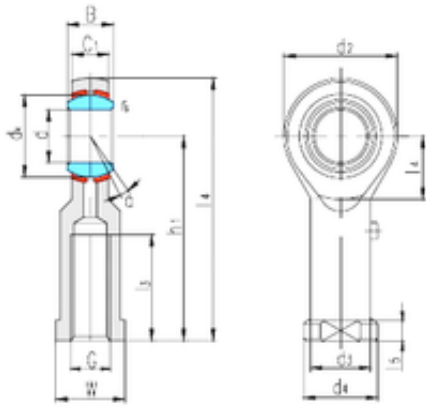




SNR Bearing Argentina

LS SIBP12S plain bearings



Bearing No. SIBP12S

| | |
|-------------------------------|----------|
| Bore Diameter | 12 mm |
| d | 12 mm |
| B | 16 mm |
| d2 | 30 mm |
| d3 | 17,5 mm |
| d4 | 22 mm |
| dk | 22,23 mm |
| h1 | 50 mm |
| l3 min. | 24 mm |
| l4 max. | 65 mm |
| l5 | 6,5 mm |
| l7 min. | 15 mm |
| r min. | 0,3 mm |
| C1 | 12 mm |
| W | 19 mm |
| Thread (G) | M12 |
| Angle | 13 ° |
| Weight | 0,108 Kg |
| Basic dynamic load rating (C) | 13 kN |

SIBP12S Bearing 2D drawings and 3D CAD models