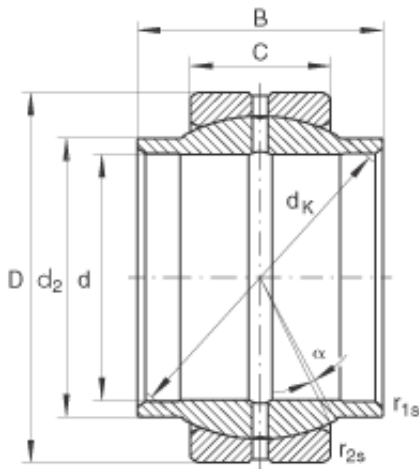




SNR Bearing Argentina



GE80-LO Bearing 2D drawings and 3D CAD models

INA GE80-LO plain bearings

Bearing No. GE80-LO

Size	80x120x80 mm
Bore Diameter	80 mm
Outer Diameter	120 mm
Width	80 mm
C	45 mm
$D_{a \min}$	99 mm
d_2	91 mm
d_k	105 mm
$r_{1s \min}$	1 mm
$r_{2s \min}$	1 mm
α (°)	4
Weight (kg)	2,6
C_r (N)	402000
C_{0r} (N)	2010000
Category	Spherical Plain Bearings - Radial
Inventory	0.0
Manufacturer Name	SCHAEFFLER GROUP
Minimum Buy Quantity	N/A
Weight / Kilogram	3.113
Product Group	B04264
Self Aligning	Yes
Rolling Element	Spherical Plain
Material - Outer Member	Steel
Material - Ball	Steel
Material - Liner	Not Applicable



SNR Bearing Argentina

Relubricatable	Yes
Enclosure	Open
Other Features	2 Piece Single Axial Split in Outer Ring Extended Inner Ring on Both Sides
Long Description	80MM Bore; 45MM Housing Width; 120MM Outside Diameter; Spherical Plain; Steel Outer Member; Steel Ball; No Liner; 80MM Overall Width; Relubricatable
Inch - Metric	Metric
Category	Plain Bearings Spherical Radial
UNSPSC	31171515
Harmonized Tariff Code	8483.30.80.70
Noun	Bearing
Keyword 3	Spherical
Keyword String	Plain Spherical Radial
Manufacturer URL	http://www.ina.com
Manufacturer Item Number	GE80LO
Weight / LBS	5.292
Housing Width	1.772 Inch 45 Millimeter
Outside Diameter	4.724 Inch 120 Millimeter
Bore	3.15 Inch 80 Millimeter
Overall Width	3.15 Inch 80 Millimeter