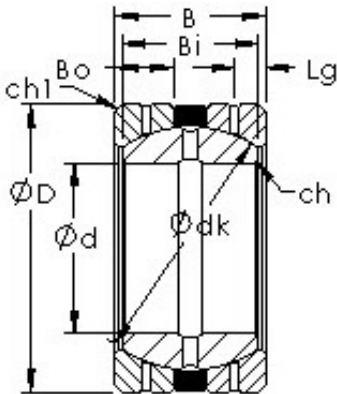




# SNR Bearing Argentina



## AST GEGZ114HS/K plain bearings

Bearing No. GEGZ114HS/K

|   |                                   |
|---|-----------------------------------|
| Bore Diameter                                       | 114,3 mm                          |
| Outer Diameter                                      | 196,85 mm                         |
| Width   | 131,064 mm                        |
| Bearing Type  | double direction thrust           |
| Bore Dia (d)  | 4.5000                            |
| Outer Dia (D)                                       | 7.7500                            |
| Width (B)   | 5.1600                            |
| Outer Width (Bo)                                    | 2.4550                            |
| Inner Width (Bi)                                    | 4.6900                            |
| Dynamic Load Rating (Cr)                            | 276,498                           |
| Static Load Rating (Cor)                            | 1,105,991                         |
| Max. shaft corner radius, or 45 deg. chamfer (ch1)  | 0.080                             |
| Max. housing corner radius, or 45 deg. chamfer (ch) | 0.180                             |
| Spherical Diameter (dk or Dk)                       | 7.205                             |
| Lubrication Groove Location (A)                     | 1.000                             |
| Weight (g)  | 14,880.00                         |
| Material  | 52100 Chrome steel, or equivalent |

GEGZ114HS/K Bearing 2D drawings and 3D CAD models