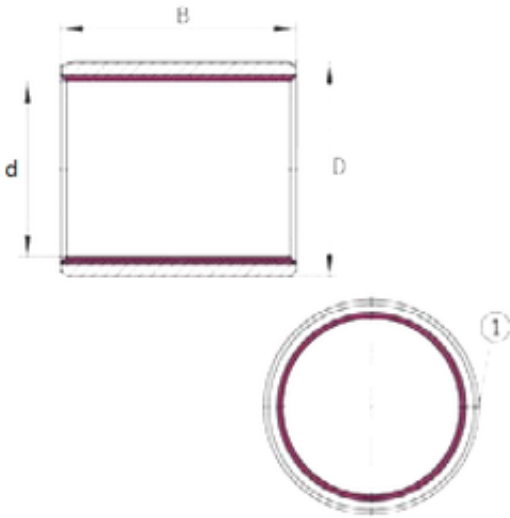




SNR Bearing Argentina



25 mm x 28 mm x 30 mm INA EGB2530-E40-B plain bearings

Bearing No. EGB2530-E40-B

EGB2530-E40-B Bearing 2D drawings and 3D CAD models

Size	25x28x30 mm
Bore Diameter	25 mm
Outer Diameter	28 mm
Width	30 mm
d	25 mm
D	28 mm
B	30 mm
Category	Sleeve Bearings
Inventory	0.0
Manufacturer Name	SCHAEFFLER GROUP
Minimum Buy Quantity	N/A
Weight / Kilogram	0.042
EAN	4012802759082
Product Group	B04264
Profile	Bushing No Flange Split
Material Description	Bronze Backing, Bronze Innerstructure, PTFE-lead Overlay
Material	Permaglide P11
Inch - Metric	Metric
Long Description	25MM Nominal Bore; 28MM Nominal Outside Diameter; 30MM Length Thru Bore; Bushing No Flange Split Profile; Bronze Backing, Bronze Innerstructure, PTFE-lead Overlay; Permaglide P11



SNR Bearing Argentina

	Material
Category	Sleeve Bearings
UNSPSC	31171515
Harmonized Tariff Code	84833080
Noun	Bearing
Keyword String	Plain
Manufacturer URL	http://www.ina.com
Manufacturer Item Number	PAP2530P11
Weight / LBS	0.093
Length Thru Bore	1.181 Inch 30 Millimeter
Nominal Outside Diameter	1.102 Inch 28 Millimeter
Nominal Bore	0.984 Inch 25 Millimeter