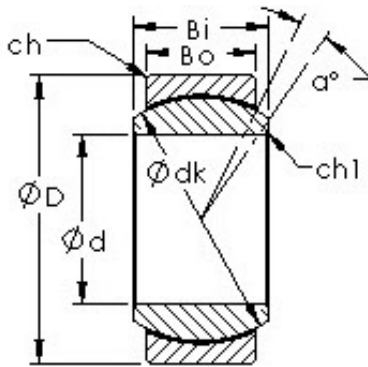




SNR Bearing Argentina



AST GEG10N plain bearings

Bearing No. GEG10N

Bore Diameter	10 mm
Outer Diameter	22 mm
Bearing Type - high misalignment	high misalignment
Bore Dia (d)	10.0000
Outer Dia (D)	22.0000
Outer Width (Bo)	7.0000
Inner Width (Bi)	12.0000
Dynamic Load Rating (Cr)	7,500
Static Load Rating (Cor)	11,000
Max. shaft corner radius, or 45 deg. chamfer (ch1)	0.300
Max. housing corner radius, or 45 deg. chamfer (ch)	0.300
Spherical Diameter (dk or Dk)	18.000
Mis-alignment Angle (a deg.)	18
Weight (g)	21.00
Material - Outer ring - 52100 chrome steel or equivalent with PTFE plastic liner, Inner ring	52100 chrome steel or equivalent with hard chrome plating

GEG10N Bearing 2D drawings and 3D CAD models