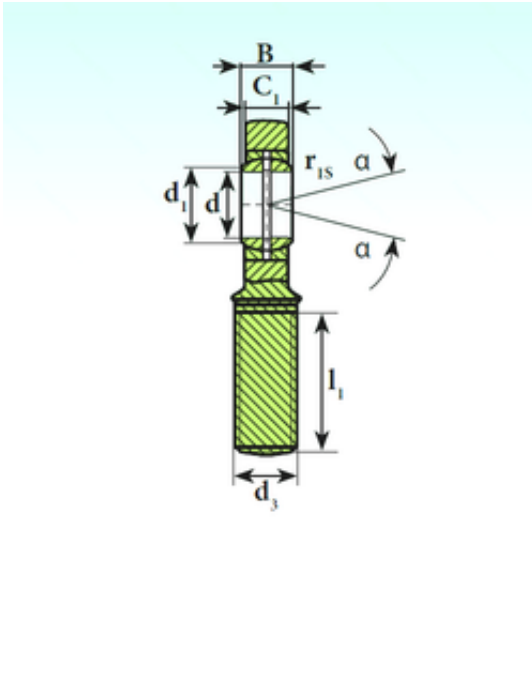




SNR Bearing Argentina



SA 35 ES Bearing 2D drawings and 3D CAD models

35 mm x 55 mm x 25 mm ISB SA 35 ES plain bearings

Bearing No. SA 35 ES

| | |
|-------------------------------|-------------|
| Size | 35x55x25 mm |
| Bore Diameter | 35 mm |
| Outer Diameter | 55 mm |
| Width | 25 mm |
| d | 35 mm |
| D | 55 mm |
| B | 25 mm |
| d1 | 39,7 mm |
| d2 | 82 mm |
| dk | 47 mm |
| h1 | 140 mm |
| l1 min. | 82 mm |
| l2 max. | 181 mm |
| l7 min. | 43 mm |
| r min. | 0,6 mm |
| C1 | 21 mm |
| W | M36x3 |
| Angle | 6 ° |
| Weight | 1,4 Kg |
| Basic dynamic load rating (C) | 80 kN |