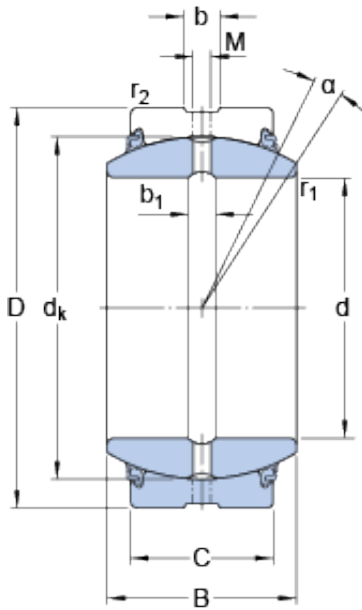




SNR Bearing Argentina

70 mm x 105 mm x 49 mm SKF GE 70 ES-2LS
plain bearings

Bearing No. GE 70 ES-2LS



GE 70 ES-2LS Bearing 2D drawings and 3D CAD models

Size	105x70x49 mm
Bore Diameter	105 mm
Outer Diameter	70 mm
Width	49 mm
d	70 mm
D	105 mm
B	49 mm
C	40 mm
	6 °
d _k	92 mm
b	7.7 mm
b ₁	7.7 mm
M	4 mm
r ₁ - min.	1 mm
r ₂ - min.	1 mm
d _a - min.	76.7 mm
d _a - max.	77.9 mm
D _a - min.	92 mm
D _a - max.	99 mm
r _a - max.	1 mm
r _b - max.	1 mm
Basic dynamic load rating - C	315 kN
Basic static load rating - C ₀	1560 kN
Specific factor dinamic load - K	100 N/mm ²



SNR Bearing Argentina

Specific factor static load - K_0	500 N/mm ²
Constant - K_M	330
Category	Spherical Plain Bearings - Radial
Inventory	0.0
Manufacturer Name	SKF
Minimum Buy Quantity	N/A
Weight / Kilogram	1.55
Product Group	B04264
Self Aligning	Yes
Rolling Element	Spherical Plain
Material - Outer Member	Steel
Material - Ball	Steel
Material - Liner	Not Applicable
Relubricatable	Yes
Enclosure	2 Seals
Other Features	2 Piece Triple Lip Heavy Duty Seals Lubrication Hole and an Annular Groove in Both Rings
Long Description	70MM Bore; 40MM Housing Width; 105MM Outside Diameter; Spherical Plain; Steel Outer Member; Steel Ball; No Liner; 49MM Overall Width; Relubricatable
Inch - Metric	Metric
Category	Plain Bearings Spherical Radial
UNSPSC	31171515
Harmonized Tariff Code	8483.30.80.70
Noun	Bearing
Keyword 3	Spherical



SNR Bearing Argentina

Keyword String	Plain Spherical Radial
Manufacturer URL	http://www.skf.com
Manufacturer Item Number	GE 70 ES-2LS
Weight / LBS	3.417
Overall Width	1.929 Inch 49 Millimeter
Outside Diameter	4.134 Inch 105 Millimeter
Bore	2.756 Inch 70 Millimeter
Housing Width	1.575 Inch 40 Millimeter
Lubricant	Regular relubrication – grease
Design (sliding contact surface combination)	Steel/steel
Sealing solution	Triple-lip seals
	6 °
d_k	92 mm
b_1	7.7 mm
r_1 min.	1 mm
r_2 min.	1 mm
d_a min.	76.7 mm
d_a max.	77.9 mm
D_a min.	92 mm
D_a max.	99 mm
r_a max.	1 mm
r_b max.	1 mm
Basic dynamic load rating C	315 kN
Basic static load rating C_0	1560 kN
Specific dynamic load factor K	100 N/mm ²
Specific static load factor K_0	500 N/mm ²
Material constant K_M	330
Mass plain bearing	1.55 kg