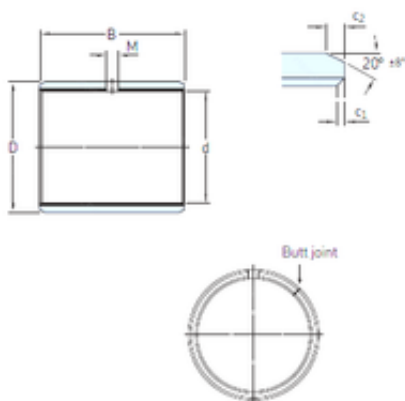




SNR Bearing Argentina

63,5 mm x 68,263 mm x 88,9 mm SKF PCZ 4056 E plain bearings



Bearing No. PCZ 4056 E

Size	63.5x68.263x88.9 mm
Bore Diameter	63,5 mm
Outer Diameter	68,263 mm
Width	88,9 mm
d	63,5 mm
D	68,263 mm
B	88,9 mm
c1 min	0,2 mm
c2 min	1,2 mm
M	– mm
Weight	0,335 Kg
Basic dynamic load rating (C)	450 kN
c ₁ min.	0.2 mm
c ₁ max.	1 mm
c ₂ min.	1.2 mm
c ₂ max.	2.4 mm
± 8	20 °
Shaft diameter range min.	63.482 mm
Shaft diameter range max.	63.528 mm
Housing bore range min.	68.247 mm
Housing bore range max.	68.278 mm
Basic dynamic load rating - radial direction C	450 kN
Basic static load rating - radial direction C ₀	1400 kN

PCZ 4056 E Bearing 2D drawings and 3D CAD models



SNR Bearing Argentina

Specific dynamic load factor K	80 N/mm ²
Specific static load factor K ₀	250 N/mm ²
Factor depending on material and bearing type K _M	480
Permissible sliding velocity v min.	0 m/s
Permissible sliding velocity v max.	2 m/s
Coefficient of friction μ min.	0.03
Coefficient of friction μ max.	0.25
Mass bushing	0.34 kg