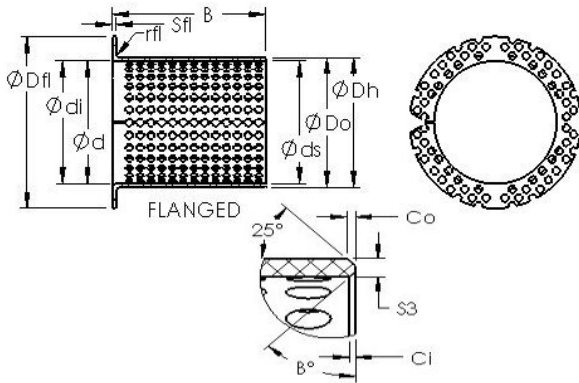




SNR Bearing Argentina



AST ASTT90 F13090 plain bearings

Bearing No. ASTT90 F13090

| | |
|--|--|
| Bore Diameter | 130 mm |
| Outer Diameter | 135 mm |
| Bearing Type | flanged |
| Shaft Dia., Nominal (d) | 130.0000 |
| Shaft Size (ds) - 130 -0.190 / -0.242 | 130 0.190 / 0.242 |
| Housing Bore Dia. (Dh) - 135 +0.040 / -0 | 135 +0.040 / 0 |
| Bearing Outside Diameter, Nominal(Do) | 135.000 |
| Bearing Bore after Mounting (di) - 135 +0.100 / -0 | 135 +0.100 / 0 |
| Wall Thickness (S3) | 2.500 |
| Bearing Length, Nominal (B) | 90.000 |
| Bearing Length Tolerance (B tol.) - +0 / -0.40 | +0 / 0.40 |
| OD Chamfer Length (Co) | 1.800 |
| ID Chamfer Angle (B deg.) | 45 |
| ID Chamfer Length (Ci) | 0.600 |
| Flange Dia. (Dfl pm 0.5) | 155.000 |
| Flange Thickness (Sfl) | 2.500 |
| Flange Radius (rfl) | 2.000 |
| Material | Wrapped bronze with lubrication holes. |

ASTT90 F13090 Bearing 2D drawings and 3D CAD models