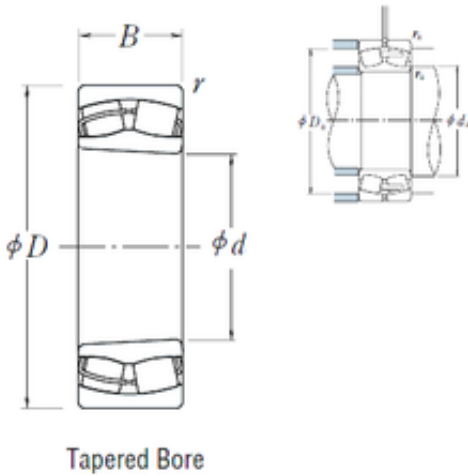




SNR Bearing Argentina

190 mm x 320 mm x 104 mm NSK 23138CKE4 spherical roller bearings

Bearing No. 23138CKE4



23138CKE4 Bearing 2D drawings and 3D CAD models

Size	190x320x104 mm
Bore Diameter	190 mm
Outer Diameter	320 mm
Width	104 mm
d	190 mm
D	320 mm
B	104 mm
C	104 mm
r min.	3 mm
da min.	204 mm
da max	219 mm
Da min	276 mm
Da max.	306 mm
ra max.	2,5 mm
Weight	34,5 Kg
Basic dynamic load rating (C)	1190 kN
Basic static load rating (C0)	2020 kN
(Grease) Lubrication Speed	850 r/min
(Oil) Lubrication Speed	1100 r/min
Calculation factor (e)	0,31
Calculation factor (Y0)	2,2
Calculation factor (Y2)	3,3
Category	Spherical Roller Bearings
Inventory	0.0
Manufacturer Name	NSK



SNR Bearing Argentina

Minimum Buy Quantity	N/A
Weight / Kilogram	33
Product Group	B04311
Internal Clearance	C0-Medium
Mounting Method	Adapter Mount
Rolling Element	Spherical Roller Bearing
Bore Profile	Tapered
Cage Material	Steel
Enclosure	Open
Number of Rows of Rollers	Double Row
Relubricatable	Yes
Withdrawal Sleeve	AH3138 (Specify bore)
Inch - Metric	Metric
Long Description	190MM Tapered Bore; 320MM Outside Diameter; 104MM Width; C0-Medium Clearance; Adapter Mount; Double Row of Spherical Roller Bearings; Steel Cage Material; Open Enclosure; Relubricatable; Adapter Part
Other Features	Order adapter or withdrawal sleeve or nut separately. Others may be available
Category	Spherical Roller Bearing
UNSPSC	31171510
Harmonized Tariff Code	84823080
Noun	Bearing
Keyword String	Spherical
Manufacturer URL	http://www.nskamericas.com
Manufacturer Item Number	23138CKE4
Weight / LBS	33
Width	4.094 Inch 104 Millimeter



SNR Bearing Argentina

Adapter Part Number	SNW3138 H3138 HA3138 HE3138 (Specify bore) Inch H3138 (Specify bore) Millimeter
Outside Diameter	12.598 Inch 320 Millimeter
Bore	7.48 Inch 190 Millimeter
Y3	2.2
hidYobi	23138CKE4
LangID	1
Y1	2.2
D_	320
Y2	3.3
Macha rpm	0
B_	104
da min	204
hidTable	ecat_NSSPHR
Oil rpm	1100
Y0	2.2
mass	34.5
GRS rpm	850
ra	2.5
TSR rpm	1600
C0	2020
DE_	287.118
X0	1
Prod_Type3	SRB_CTB_TB
X1	1
X2	0.67
SIR	42
e	0.31
DA_	31.5
bomp	23138CKE4
Z_	21



SNR Bearing Argentina

ALP2	30
ALP1	11
ALP3	0
D_a max	306
D_a min	276
yobi	23138CKE4
ALPHA_	0.201
SDM_	256.25
r	3
KBRG	2322
SBRG	31
DI_	225.383