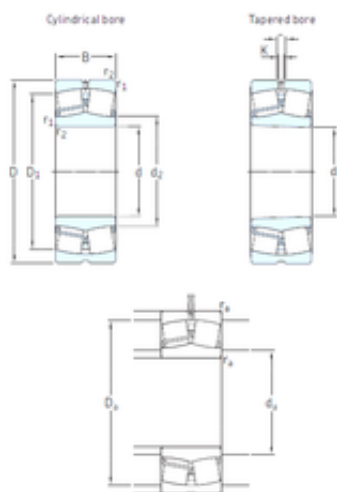




SNR Bearing Argentina



190 mm x 400 mm x 132 mm SKF 22338
CCKJA/W33VA405 spherical roller bearings

Bearing No. 22338 CCKJA/W33VA405

Size	190x400x132 mm
Bore Diameter	190 mm
Outer Diameter	400 mm
Width	132 mm
d	190 mm
D	400 mm
B	132 mm
C	132 mm
b	22,3 mm
d2	236 mm
r1 min.	5 mm
r2 min.	5 mm
D1	333 mm
K	12 mm
da min.	210 mm
Da max.	380 mm
ra max.	4 mm
Weight	82,5 Kg
Basic dynamic load rating (C)	2 120 kN
Basic static load rating (C0)	2 650 kN
Fatigue load limit (Pu)	208
Reference speed	1 200 r/min
Limiting speed	1 600 r/min
Calculation factor (e)	0,35
Calculation factor (Y0)	1,8

22338 CCKJA/W33VA405 Bearing 2D drawings and 3D CAD models



SNR Bearing Argentina

Calculation factor (Y1)	1,9
d_2	236 mm
D_1	333 mm
$r_{1,2}$ min.	5 mm
D_a max.	380 mm
r_a max.	4 mm
Basic dynamic load rating C	2232 kN
Basic static load rating C_0	2650 kN
Fatigue load limit P_u	208 kN
Calculation factor e	0.35
Calculation factor Y_1	1.9
Calculation factor Y_2	2.9
Calculation factor Y_0	1.8
Permissible rotational acceleration (oil lubrication)	559 m/s ²
Permissible linear acceleration (oil lubrication)	167 m/s ²
Mass bearing	81 kg