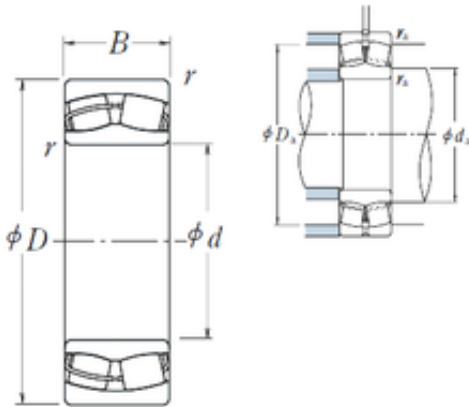




# SNR Bearing Argentina



170 mm x 280 mm x 109 mm NSK 24134CE4 spherical roller bearings

Bearing No. 24134CE4

24134CE4 Bearing 2D drawings and 3D CAD models

Size	170x280x109 mm
Bore Diameter	170 mm
Outer Diameter	280 mm
Width	109 mm
d	170 mm
D	280 mm
B	109 mm
C	109 mm
r min.	2,1 mm
da min.	182 mm
da max	190 mm
Da min	239 mm
Da max.	268 mm
ra max.	2 mm
Weight	26,6 Kg
Basic dynamic load rating (C)	1080 kN
Basic static load rating (C0)	1860 kN
(Grease) Lubrication Speed	1000 r/min
(Oil) Lubrication Speed	1300 r/min
Calculation factor (e)	0,37
Calculation factor (Y0)	1,8
Calculation factor (Y2)	2,7
Category	Spherical Roller Bearings
Inventory	0.0
Manufacturer Name	NSK



## SNR Bearing Argentina

Minimum Buy Quantity	N/A
Weight / Kilogram	26.6
Product Group	B04311
Internal Clearance	C0-Medium
Mounting Method	Shaft Mount
Rolling Element	Spherical Roller Bearing
Bore Profile	Straight
Cage Material	Steel
Enclosure	Open
Number of Rows of Rollers	Double Row
Relubricatable	Yes
Withdrawal Sleeve	Not Applicable
Inch - Metric	Metric
Long Description	170MM Straight Bore; 280MM Outside Diameter; 109MM Width; C0-Medium Clearance; Shaft Mount; Double Row of Spherical Roller Bearings; Steel Cage Material; Open Enclosure; Relubricatable
Category	Spherical Roller Bearing
UNSPSC	31171510
Harmonized Tariff Code	84823080
Noun	Bearing
Keyword String	Spherical
Manufacturer URL	<a href="http://www.nskamericas.com">http://www.nskamericas.com</a>
Manufacturer Item Number	24134CE4
Weight / LBS	26.6
Bore	6.693 Inch   170 Millimeter
Adapter Part Number	Not Applicable Inch   Not Applicable Millimeter
Outside Diameter	11.024 Inch   280 Millimeter
Width	4.291 Inch   109 Millimeter



## SNR Bearing Argentina

Y3	1.8
hidYobi	24134CE4
LangID	1
Y1	1.8
D_	280
Y2	2.7
Macha rpm	0
B_	109
da min	182
hidTable	ecat_NSSPHR
Oil rpm	1300
Y0	1.8
mass	26.6
GRS rpm	1000
ra	2
TSR rpm	1200
C0	1860
DE_	252.459
X0	1
Prod_Type3	SRB_CTB_CB
X1	1
X2	0.67
SIR	43.5
e	0.37
DA_	28
bomp	24134CE4
Z_	21
ALP2	50
ALP1	13
ALP3	0
D_a max	268
D_a min	239



## SNR Bearing Argentina

yobi	24134CE4
ALPHA_	0.241
SDM_	225.271
r	2.1
KBRG	2322
SBRG	41
DI_	198.083