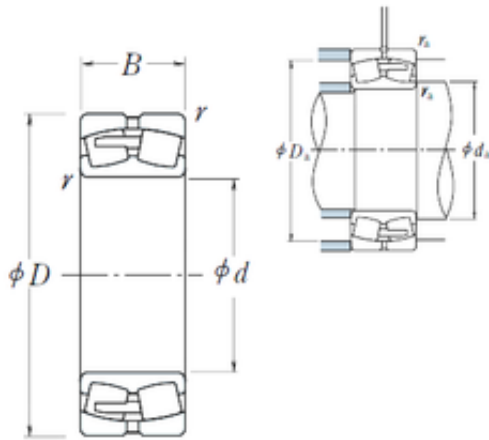




SNR Bearing Argentina

900 mm x 1180 mm x 206 mm NSK
239/900CAE4 spherical roller bearings



Bearing No. 239/900CAE4

Size	900x1180x206 mm
Bore Diameter	900 mm
Outer Diameter	1180 mm
Width	206 mm
d	900 mm
D	1180 mm
B	206 mm
C	206 mm
r min.	6 mm
da min.	928 mm
Da min	1103 mm
Da max.	1152 mm
ra max.	5 mm
Weight	591 Kg
Basic dynamic load rating (C)	6600 kN
Basic static load rating (C0)	16700 kN
(Grease) Lubrication Speed	180 r/min
(Oil) Lubrication Speed	220 r/min
Calculation factor (e)	0,16
Calculation factor (Y0)	4,2
Calculation factor (Y2)	6,4

239/900CAE4 Bearing 2D drawings and 3D CAD models