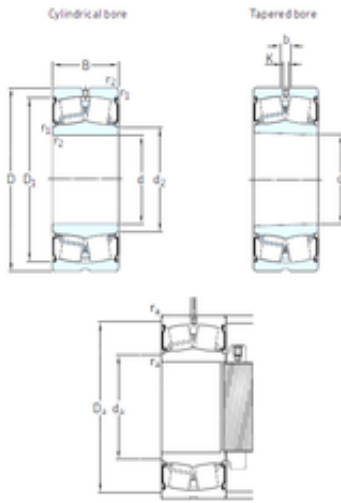




# SNR Bearing Argentina



80 mm x 140 mm x 40 mm SKF  
BS2-2216-2CS/VT143 spherical roller bearings

Bearing No. BS2-2216-2CS/VT143

BS2-2216-2CS/VT143 Bearing 2D drawings and 3D CAD models

Size	80x140x40 mm
Bore Diameter	80 mm
Outer Diameter	140 mm
Width	40 mm
d	80 mm
D	140 mm
B	40 mm
C	40 mm
b	6 mm
d2	91,7 mm
r1 min.	2 mm
r2 min.	2 mm
D1	128 mm
K	3 mm
da min.	91 mm
da max	91,5 mm
Da max.	129 mm
ra max.	2 mm
Weight	2,4 Kg
Basic dynamic load rating (C)	236 kN
Basic static load rating (C0)	270 kN
Fatigue load limit (Pu)	29
Limiting speed	1200 r/min
Calculation factor (e)	0,22
Calculation factor (Y0)	2,8



## SNR Bearing Argentina

Calculation factor (Y1)	3
Category	Roller Bearings
Inventory	0.0
Manufacturer Name	SKF
Minimum Buy Quantity	N/A
UNSPSC	23153417
Weight / Kilogram	2.476
Product Group	B04311