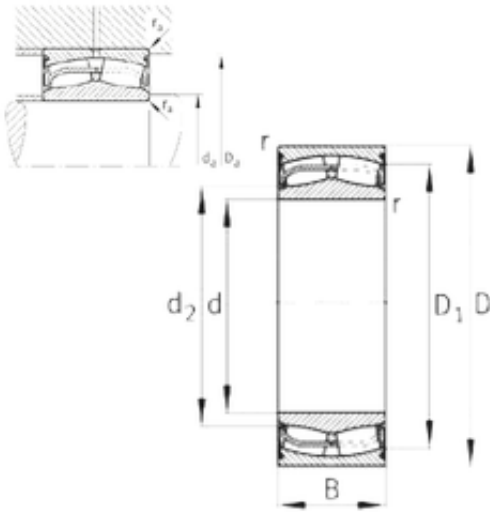




## SNR Bearing Argentina

170 mm x 280 mm x 109 mm FAG  
24134-E1-2VSR-H40 spherical roller bearings



Bearing No. 24134-E1-2VSR-H40

Size	170x280x109 mm
Bore Diameter	170 mm
Outer Diameter	280 mm
Width	109 mm
d	170 mm
D	280 mm
B	109 mm
C	109 mm
d2	186,7 mm
r min.	2,1 mm
D1	257,3 mm
da min.	182 mm
Da max.	268 mm
ra max.	2,1 mm
Weight	26,4 Kg
Basic dynamic load rating (C)	1260 kN
Basic static load rating (C0)	1900 kN
Fatigue load limit (Pu)	179
Limiting speed	530 r/min
Calculation factor (e)	0,36
Calculation factor (Y0)	1,86
Calculation factor (Y1)	1,9

24134-E1-2VSR-H40 Bearing 2D drawings and 3D CAD models