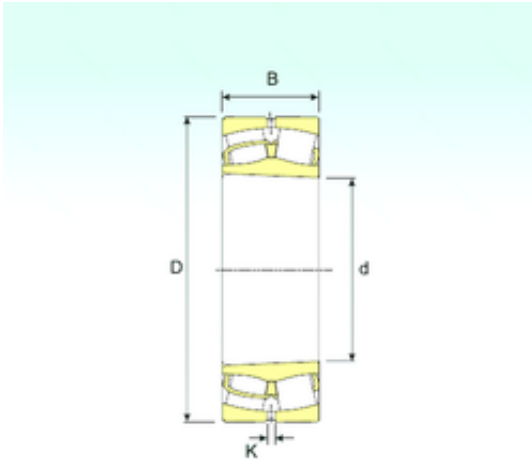




SNR Bearing Argentina



240/560 K30 Bearing 2D drawings and 3D CAD models

560 mm x 820 mm x 258 mm ISB 240/560 K30
spherical roller bearings

Bearing No. 240/560 K30

Size	560x820x258 mm
Bore Diameter	560 mm
Outer Diameter	820 mm
Width	258 mm
d	560 mm
D	820 mm
B	258 mm
C	258 mm
K	12 mm
Weight	465 Kg
Basic dynamic load rating (C)	7203 kN
Basic static load rating (C0)	14308 kN
(Grease) Lubrication Speed	481,95 r/min