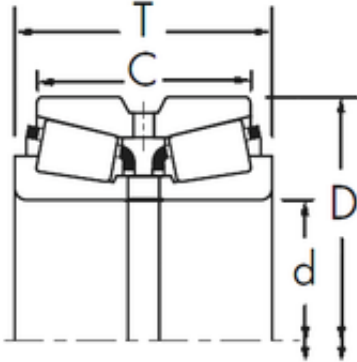




SNR Bearing Argentina

Timken 350/353DC+X1S-357 tapered roller bearings

Bearing No. 350/353DC+X1S-357



350/353DC+X1S-357 Bearing 2D drawings and 3D CAD models

Size	40x90.119x50.795 mm
Bore Diameter	40 mm
Outer Diameter	90,119 mm
Width	50,795 mm
d	40 mm
D	90,119 mm
T	50,795 mm
C	44,45 mm
R	4 mm
r	0,8 mm