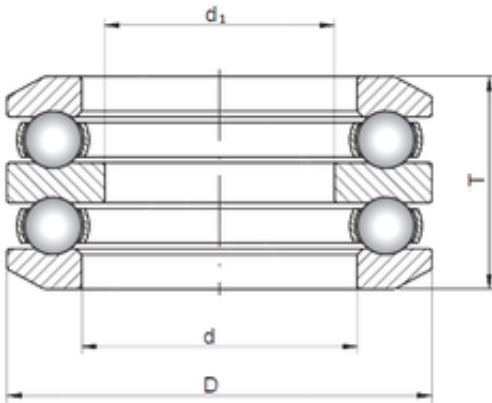




SNR Bearing Argentina

ISO 54318 thrust ball bearings



Bearing No. 54318

Size	93x155x97.2 mm
Bore Diameter	93 mm
Outer Diameter	155 mm
Width	97,2 mm
d	93 mm
d1	75 mm
D	155 mm
T	97,2 mm

54318 Bearing 2D drawings and 3D CAD models