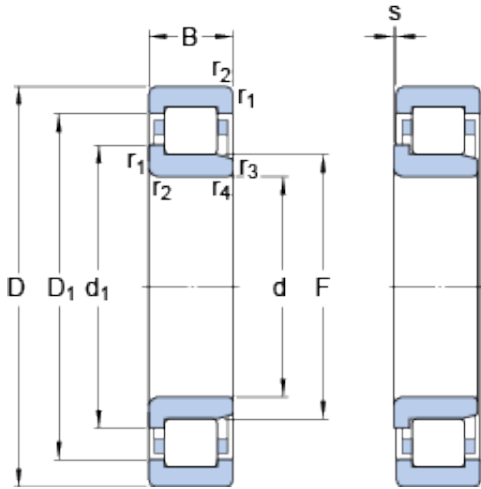




SNR Bearing Argentina



80 mm x 140 mm x 26 mm SKF NJ 216 ECJ
thrust ball bearings

Bearing No. NJ 216 ECJ

NJ 216 ECJ Bearing 2D drawings and 3D CAD models

Size	140x80x26 mm
Bore Diameter	140 mm
Outer Diameter	80 mm
Width	26 mm
d	80 mm
D	140 mm
B	26 mm
d ₁	101 mm
D ₁	121.7 mm
F	95.3 mm
r _{1,2} - min.	2 mm
r _{3,4} - min.	2 mm
s	1.4 mm
d _a - min.	90 mm
d _a - max.	93 mm
d _b - min.	104 mm
D _a - max.	129.8 mm
r _a - max.	2 mm
Basic dynamic load rating - C	160 kN
Basic static load rating - C ₀	166 kN
Fatigue load limit - P _u	21.2 kN
Reference speed	5300 r/min
Limiting speed	5600 r/min
Calculation factor - k _r	0.15



SNR Bearing Argentina

Category	Cylindrical Roller Bearings
Inventory	0.0
Manufacturer Name	SKF
Minimum Buy Quantity	N/A
Weight / Kilogram	1.595
EAN	7316577726193
Product Group	B04144
Bore Profile	Straight
Cage Material	Steel
Precision Class	RBEC 1 ISO P0
Number of Rows of Rollers	Single Row
Separable	Inner Ring - One Side
Rolling Element	Cylindrical Roller Bearing
Profile	Complete with Outer and Inner Ring
Snap Ring	No
Internal Clearance	C0-Medium
Retainer	Yes
Relubricatable	Yes
Inch - Metric	Metric
Other Features	High Capacity 1 Rib Inner Ring 2 Rib Outer Ring Cage on Outer Ring ID
Long Description	80MM Bore; Straight Bore Profile; 140MM Outside Diameter; 26MM Width; Steel Cage Material; RBEC 1 ISO P0; Single Row; Inner Ring - One Side Separable; No Snap Ring; Relubricatable; C0-Medium Intern
Category	Cylindrical Roller Bearing
UNSPSC	31171547
Harmonized Tariff Code	8482.50.00.00
Noun	Bearing



SNR Bearing Argentina

Manufacturer URL	http://www.skf.com
Manufacturer Item Number	NJ 216 ECJ
Weight / LBS	3.514
Bore	3.15 Inch 80 Millimeter
Outside Diameter	5.512 Inch 140 Millimeter
Width	1.024 Inch 26 Millimeter
bore diameter:	80 mm
static load capacity:	166 kN
outside diameter:	140 mm
precision rating:	Not Rated
overall width:	26 mm
maximum rpm:	5600 RPM
flanges:	(2) Outer Ring, (1) Inner Ring
bearing material:	Steel
bore type:	Straight
cage material:	Steel
number of rows:	1
finish/coating:	Uncoated
internal clearance:	C0
closure type:	Open
ring separation:	Separable Ring
outer ring width:	26 mm
operating temperature range:	Maximum of +300 ° F
fillet radius:	2 mm
dynamic load capacity:	160 kN
series:	NJ2
d ₁	101 mm
D ₁	121.7 mm
r _{1,2} min.	2 mm
r _{3,4} min.	2 mm
s max.	1.4 mm



SNR Bearing Argentina

d_a min.	90 mm
d_a max.	93 mm
d_b min.	104 mm
D_a max.	129.8 mm
r_a max.	2 mm
Basic dynamic load rating C	160 kN
Basic static load rating C_0	166 kN
Fatigue load limit P_u	21.2 kN
Calculation factor k_r	0.15
Limiting value e	0.2
Axial load factor Y	0.6
Mass bearing	1.59 kg
Angle ring	HJ 216 EC