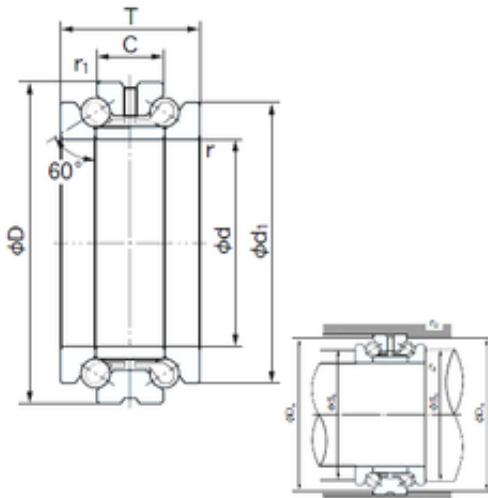




SNR Bearing Argentina



30TAD20 Bearing 2D drawings and 3D CAD models

NACHI 30TAD20 thrust ball bearings

Bearing No. 30TAD20

Size	30x55x32 mm
Bore Diameter	30 mm
Outer Diameter	55 mm
Width	32 mm
d	30 mm
D	55 mm
T	32 mm
ra1 max.	0.6 mm
Angle (°)	60 °
d1	47 mm
r min.	1 mm
r1 min.	0.6 mm
C	16 mm
da min.	39 mm
Da max.	51 mm
ra max.	1 mm
Weight	0.301 Kg
Basic dynamic load rating (C)	14 kN
Basic static load rating (C0)	27,1 kN
(Grease) Lubrication Speed	7000 r/min