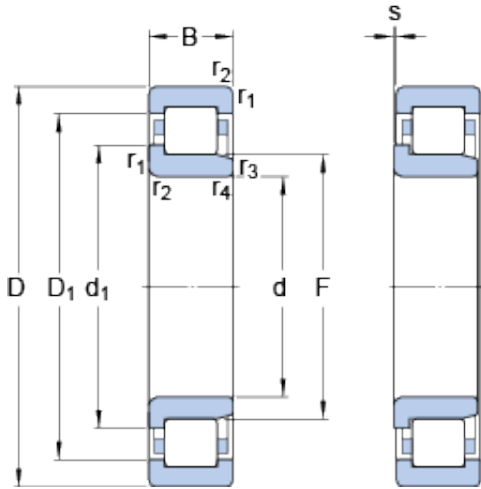




SNR Bearing Argentina



110 mm x 200 mm x 38 mm SKF NJ 222 ECM
thrust ball bearings

Bearing No. NJ 222 ECM

NJ 222 ECM Bearing 2D drawings and 3D CAD models

Size	200x110x38 mm
Bore Diameter	200 mm
Outer Diameter	110 mm
Width	38 mm
d	110 mm
D	200 mm
B	38 mm
d ₁	141 mm
D ₁	172.5 mm
F	132.5 mm
r _{1,2} - min.	2.1 mm
r _{3,4} - min.	2.1 mm
s	2.1 mm
d _a - min.	122 mm
d _a - max.	129 mm
d _b - min.	144 mm
D _a - max.	187 mm
r _a - max.	2 mm
Basic dynamic load rating - C	335 kN
Basic static load rating - C ₀	365 kN
Fatigue load limit - P _u	42.5 kN
Reference speed	3600 r/min
Limiting speed	4000 r/min
Calculation factor - k _r	0.15



SNR Bearing Argentina

Category	Cylindrical Roller Bearings
Inventory	0.0
Manufacturer Name	SKF
Minimum Buy Quantity	N/A
Weight / Kilogram	5.831
Product Group	B04144
Bore Profile	Straight
Cage Material	Brass
Precision Class	RBEC 1 ISO P0
Number of Rows of Rollers	Single Row
Separable	Inner Ring - One Side
Rolling Element	Cylindrical Roller Bearing
Profile	Complete with Outer and Inner Ring
Snap Ring	No
Internal Clearance	C0-Medium
Retainer	Yes
Relubricatable	Yes
Inch - Metric	Metric
Other Features	High Capacity 1 Rib Inner Ring 2 Rib Outer Ring Cage on Outer Ring ID
Long Description	110MM Bore; Straight Bore Profile; 200MM Outside Diameter; 38MM Width; Brass Cage Material; RBEC 1 ISO P0; Single Row; Inner Ring - One Side Separable; No Snap Ring; Relubricatable; C0-Medium Inter
Category	Cylindrical Roller Bearing
UNSPSC	31171547
Harmonized Tariff Code	8482.50.00.00
Noun	Bearing
Manufacturer URL	http://www.skf.com



SNR Bearing Argentina

Manufacturer Item Number	NJ 222 ECM
Weight / LBS	12.844
Bore	4.331 Inch 110 Millimeter
Width	1.496 Inch 38 Millimeter
Outside Diameter	7.874 Inch 200 Millimeter
bore diameter:	110 mm
precision rating:	RBEC 1 (ISO Class Normal)
outside diameter:	200 mm
maximum rpm:	4000 RPM
overall width:	38 mm
bearing material:	Steel
flanges:	(2) Outer Ring, (1) Inner Ring
cage material:	Brass
bore type:	Straight
finish/coating:	Uncoated
number of rows:	1
closure type:	Open
internal clearance:	C0
application:	Piston Type Machines, Rolling Mills, Spindles/Machine Tools
ring separation:	Separable Ring
outer ring width:	38 mm
operating temperature range:	Maximum of +300 ° F
fillet radius:	2 mm
dynamic load capacity:	335 kN
series:	NJ2
static load capacity:	365 kN
d ₁	141 mm
D ₁	172.5 mm
r _{1,2} min.	2.1 mm



SNR Bearing Argentina

$r_{3,4}$ min.	2.1 mm
s max.	2.1 mm
d_a min.	122 mm
d_a max.	129 mm
d_b min.	144 mm
D_a max.	187 mm
r_a max.	2 mm
Basic dynamic load rating C	335 kN
Basic static load rating C_0	365 kN
Fatigue load limit P_u	42.5 kN
Calculation factor k_r	0.15
Limiting value e	0.2
Axial load factor Y	0.6
Mass bearing	5.75 kg