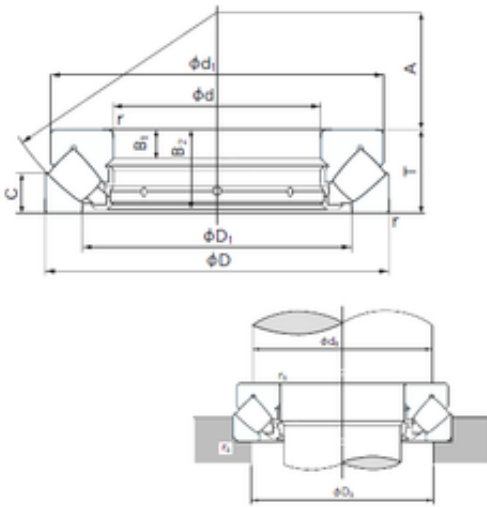




SNR Bearing Argentina

300 mm x 540 mm x 52 mm NACHI 29460E
thrust roller bearings

Bearing No. 29460E



29460E Bearing 2D drawings and 3D CAD models

Size	300x540x145 mm
Bore Diameter	300 mm
Outer Diameter	540 mm
Width	145 mm
d	300 mm
D	540 mm
T	145 mm
d1	515 mm
r min.	6 mm
A	175 mm
B1	52 mm
B2	140 mm
C	70 mm
D1	402 mm
da min.	410 mm
Da max.	460 mm
ra max.	5 mm
Weight	146 Kg
Basic dynamic load rating (C)	3650 kN
Basic static load rating (C0)	14800 kN
Bore Type	Cylindrical Bore
Enclosure	Open
Configuration	Single Row
Bore Size	300 mm
Outside Diameter	540 mm



SNR Bearing Argentina

Fillet Radius/Chamfer	6 mm
Width	145 mm
Dynamic Load Rating	3,650,000 N
Static Load Rating	14,800,000 N
Limiting Speed - Oil	540 rpm
B	52 mm
da (min)	410 mm
Da (max)	460 mm
ra (max)	5 mm