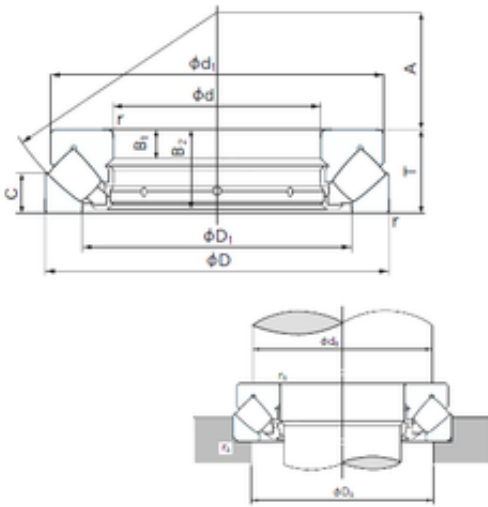




SNR Bearing Argentina



65 mm x 140 mm x 16 mm NACHI 29413E
thrust roller bearings

Bearing No. 29413E

29413E Bearing 2D drawings and 3D CAD models

Size	65x140x45 mm
Bore Diameter	65 mm
Outer Diameter	140 mm
Width	45 mm
d	65 mm
D	140 mm
T	45 mm
d1	133 mm
r min.	2 mm
A	42 mm
B1	16 mm
B2	42.5 mm
C	21 mm
D1	96 mm
da min.	99 mm
Da max.	115 mm
ra max.	2 mm
Weight	3.41 Kg
Basic dynamic load rating (C)	345 kN
Basic static load rating (C0)	1040 kN
Category	Bearings
Inventory	0.0
Manufacturer Name	NACHI
Minimum Buy Quantity	N/A
Weight / Kilogram	0



SNR Bearing Argentina

Product Group	B04311
Bore Type	Cylindrical Bore
Enclosure	Open
Configuration	Single Row
Bore Size	65 mm
Outside Diameter	140 mm
Fillet Radius/Chamfer	2 mm
Width	45 mm
Dynamic Load Rating	345,000 N
Static Load Rating	1,040,000 N
Limiting Speed - Oil	2,700 rpm
B	16 mm
da (min)	99 mm
Da (max)	115 mm
ra (max)	2 mm